

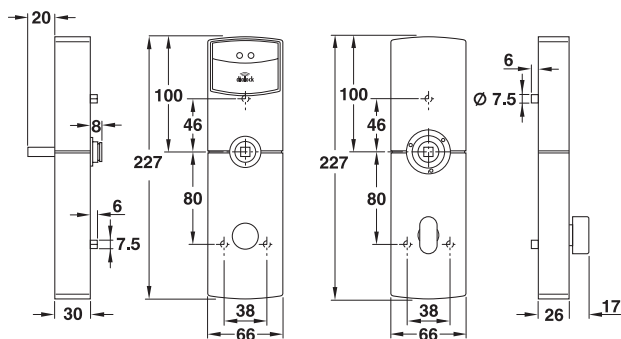
DTSH Door terminal modules

→ With Legic® processor or Tag-it™-ISO processor



Backplate external module with processor

Backplate internal module



Technical description

- Function:** Battery operated, intelligent reading station for interior guest room doors, touchless activation with Dialock key, red/green LEDs for indication of locking and unlocking.

 With real-time clock and logging of all processes.

 Door backplate internal module with thumbturn with which "Do not disturb" can be indicated on the external module by a flashing signal.

 The door can be opened without a key at any time from the inside.

 Electronic emergency opening is possible.

 Every electronic emergency opening is logged.

 For an optional mechanic emergency opening a single profile cylinder must be used.

 A mortise lock with feedback must be used for optional logging of mechanical emergency openings.

 For service personnel: Indication of programming status and when battery change is required.

 Optional extension of functions by means of additional macro software.

 Cable interface for programming.
- Area of application:** For interior guest room doors.
- Version:** Backplate housing: Solid stainless steel (see ordering overview for standard finishes)

 Door handles with matching colours are available within the Dialock range (special finishes on request).

Technical reference

Only to be used with Dialock DIN mortise locks.
 When using the optional mechanical emergency opening, please note the information sheet for determining the correct length of the single profile cylinder (see Häfele homepage and Section 3 of the Dialock Project catalogue).

Technical data

Ambient temperature (operation)	0 – 55 °C
Relative humidity	0 – 95 % (non-condensating)
Service life of battery	1.5 years on average
Door handle spindle	8 mm
Door thicknesses	37 – 87 mm
ESD protection	High level security, tested to 20,000 V (standard 8,000 V)

DTSH Door terminal modules



Specifications/ordering overview

		Technology	Stainless steel matt	Stainless steel polished	Brass polished (PVD)
Prepared for door handle pointing to the left					
		Legic®	917.30.500	917.30.501	917.30.508
		Tag-it™-ISO	917.50.500	917.50.501	917.50.508
Prepared for door handle pointing to the right					
		Legic®	917.30.510	917.30.511	917.30.518
		Tag-it™-ISO	917.50.510	917.50.511	917.50.518

Ordering unit DTSH door terminal modules

- 1 External module with processor
- 1 Internal module

Order reference

Please order door handles, mounting material and batteries separately.
Please order a single profile cylinder for an optional emergency opening separately (for ordering assistance see Häfele homepage).

Cross reference

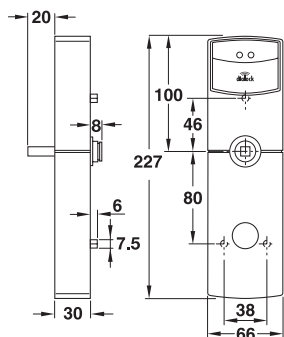
DTSH FH Door terminal set	▶ Page DK 10
Door handles	▶ Page DK 12
Other accessories for DTSH door terminal modules	▶ Page DK 64
Mounting material	▶ Page DK 65
Batteries	▶ Page DK 65
Dialock DIN mortise locks	▶ Page DK 79
Single profile cylinder	▶ Page DK 116

DTSH FH Door terminal sets F

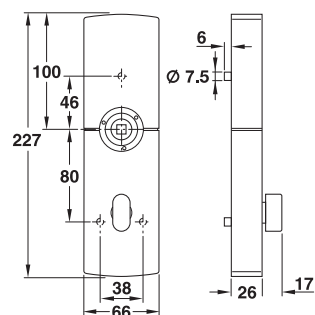
→ With Legic® processor or Tag-it™-ISO processor



Backplate external module with processor



Backplate internal module



Technical description

- **Function:** Battery operated, intelligent reading station for fire resistant and smoke control doors in guest rooms, touchless activation with Dialock key, red/green LEDs for indication of locking and unlocking.

With real-time clock and logging of all processes.

Door backplate internal module with thumbturn with which "Do not disturb" can be indicated by a flashing signal on the external module.

The door can be opened without a key from inside at any time.

Electronic emergency opening is possible.

Every electronic emergency opening is logged. A mortise lock with feedback must be used for optimal logging of mechanical emergency openings.

For a stipulated mechanical emergency opening a single profile cylinder must be used.

For service personnel: Indication of programming status and when battery change is required.

Optional extension of functions by means of additional macro software.

Cable interface for programming.
- **Area of application:** For fire resistant and smoke control doors in guest rooms.
- **Version:** Backplate housing: Solid stainless steel, matches the colours of door handles.

Door handles: Stainless steel.

Technical reference

DTSH FH door terminal sets must be installed by Dialock specialists after approval by the door manufacturer. Otherwise the approval for the fire resistant or smoke control door will void.
 Only to be used in combination with Dialock DIN mortise locks for fire resistant and smoke control doors.
 When using the optional mechanical emergency opening, please note the information sheet for determining the correct length of the single profile cylinder (see Häfele homepage and Section 3 of the Dialock Project catalogue).

Technical data

Ambient temperature (operation)	0 – 55 °C
Relative humidity	0 – 95 % (non-condensating)
Service life of battery	1.5 years on average
Door handle spindle	9 mm
Door thicknesses	37 – 87 mm
ESD protection	High level security, tested to 20,000 V (standard 8,000 V)

DTSH FH Door terminal sets **F**



Specifications/ordering overview

	Door handle shape	Area of application	Technology	Stainless steel matt	Stainless steel polished	Brass polished (PVD)
Prepared for door handle pointing to the left						
			Legic®	917.30.700	917.30.701	917.30.708
			Tag-it™-ISO	917.50.700	917.50.701	917.50.708
			Legic®	917.30.720	917.30.721	917.30.728
			Tag-it™-ISO	917.50.720	917.50.721	917.50.728
			Legic®	917.30.740	917.30.741	917.30.748
			Tag-it™-ISO	917.50.740	917.50.741	917.50.748
Prepared for door handle pointing to the right						
			Legic®	917.30.710	917.30.711	917.30.718
			Tag-it™-ISO	917.50.710	917.50.711	917.50.718
			Legic®	917.30.730	917.30.731	917.30.738
			Tag-it™-ISO	917.50.730	917.50.731	917.50.738
			Legic®	917.30.750	917.30.751	917.30.758
			Tag-it™-ISO	917.50.750	917.50.751	917.50.758

Ordering unit DTSH FH door terminal set

- 1 Backplate external module with processor
- 1 Backplate internal module
- 2 Door handles

Mounting material (for 47 – 57 mm thick doors, if not ordered for other door thicknesses)

- 4 Batteries

Order reference

Please order a single profile cylinder for an optional emergency opening separately (ordering assistance see Häfele homepage.)

Cross reference

Other accessories for DTSH FH door terminal set	▶ Page DK 64
Mortise locks for fire resistant and smoke control doors	▶ Page DK 83
Single profile cylinder	▶ Page DK 116

StarTec Door handles

Technical description

- Function: For Dialock DT and DTSH door terminal sets.
- Area of application: For interior doors.
The use on fire resistant and smoke control doors is not permitted.

Technical data

Door handle spindle	8 mm
---------------------	------

→ Sandra



Specifications/ordering overview



	Version	Finish	Cat. No.
	Stainless steel	Matt	902.30.002
		Polished	902.30.003
		Brass coloured polished	902.30.008

→ Sofea



	Version	Finish	Cat. No.
	Stainless steel	Matt	902.30.012
		Polished	902.30.013
		Brass coloured polished	902.30.018

→ Saria



	Version	Finish	Cat. No.
	Stainless steel	Matt	902.30.022
		Polished	902.30.023
		Brass coloured polished (PVD)	902.30.028

→ Sissia



	Version	Finish	Cat. No.
	Stainless steel	Matt	902.30.060

→ Sabrina



	Version	Finish	Cat. No.
	Stainless steel	Polished/matt	902.30.071

Ordering unit for all StarTec door handles

- 1 Door handle
- 1 Adapter, black plastic

Ordering reference for all StarTec door handles

2 door handles must be ordered for each door terminal set.

→ Villea



Specifications/ordering overview



	Version	Finish	Cat. No.
	Stainless steel	Polished/matt	902.30.141

→ Vera



	Version	Finish	Cat. No.
	Stainless steel	Matt	902.30.080

→ Vennia



	Version	Finish	Cat. No.
	Stainless steel	Matt	902.30.100

→ Virginia



	Version	Finish	Cat. No.
	Stainless steel	Polished/matt	902.30.131

→ Laura



	Version	Finish	Cat. No.
	Stainless steel	Polished/matt	902.30.042

→ Leila



	Version	Finish	Cat. No.
	Stainless steel	Polished/matt	902.30.062

Ordering unit for all StarTec door handles

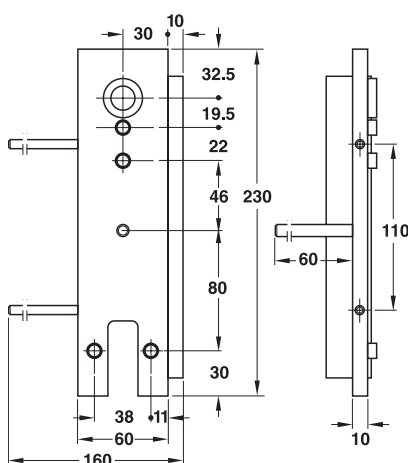
- 1 Door handle
- 1 Adapter, black plastic

Ordering reference for all StarTec door handles

2 door handles must be ordered for each door terminal set.

DK.2006, HDE, 09/06; Dimensional data not binding. We reserve the right to alter specifications without notice.

Drilling jig



Technical description

- Area of application: Work preparation for mounting DTSH door terminal modules and DTSH FH door terminal sets on wooden doors.

Technical data

Drilling dimension	3 X Ø 8 mm continuous, 1 x Ø 16 mm continuous, 1 x Ø 8 mm cable drilling to the lock pocket (only when logging emergency opening), 1 x Ø 25 mm recess on the outside at least 7 mm deep, 1 x Ø 32 mm extending recess on the outside through to the lock pocket (only when logging emergency opening)
--------------------	---

Technical reference

Align drilling jig with stop parallel to door edge and fix with suitable screw-clamp.
Drill required holes into door using the drilling jig (at a right angle to door leaf).
Do not drill through the door leaf, use drilling jig on both sides.

Specifications/ordering overview

	Cat. No.
Drilling jig	917.90.003



Drill bit

→ Ø 16 mm

Technical description

- Area of application: For drilling through hole for leading cables through wooden doors.

Specifications/ordering overview

	Cat. No.
Drill bit	910.54.994

Router bit

→ Ø 25 mm

Technical description

- Area of application: For through hole to lock nut on wooden doors.
- Version: With reducing sleeve and centring pin.

Specifications/ordering overview

	Cat. No.
Router bit	910.54.995

Router bit

→ Ø 32 mm

Technical description

- Area of application: For widening the cable drilling on the outside through to the lock pocket (only when logging the emergency opening).
- Version: With centring pin.

Specifications/ordering overview

	Cat. No.
Router bit	910.54.997

Spacer plate

Technical description

- Area of application: For compensation with thin door panels.
The use on fire resistant and smoke control doors is not permitted.
- Version: Black ABS plastic,
210 x 54 x 3 mm.

Specifications/ordering overview

	Cat. No.
Spacer plate	917.90.490



Spacer plate for fire resistant and smoke control doors

Technical description

- Version: Stainless steel, 210 x 54 x 2 mm.

Specifications/ordering overview



	Cat. No.
Spacer plate for fire resistant and smoke control doors	917.90.210

Battery



Technical description

- Version: Alkaline manganese battery 1.5 V Mignon

Specifications/ordering overview



	Cat. No.
Battery	910.54.980

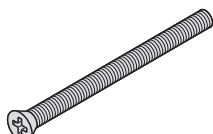
Order reference

Minimum order quantity 4 pieces.

Mounting material



Spindle



M 4 Threaded screw

Technical description

- Version: Spindle: Steel yellow galvanized 8 mm.
Threaded screw: Steel galvanized.

Specifications/ordering overview



Door thickness mm	Spindle	Thread length mm	Cat. No.
37 – 47	100	50	917.90.410
47 – 57	110	60	917.90.411
57 – 67	120	70	917.90.412
67 – 77	130	80	917.90.413
77 – 87	140	90	917.90.414

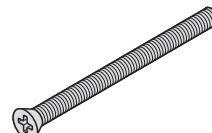
Ordering unit mounting material

1 Spindle
4 Threaded screws

Mounting material for fire resistant and smoke control doors



Spindle



M4 Threaded screw

Technical description

- Version: Spindle: Steel yellow galvanized 9 mm.
Threaded screw: Steel galvanized.

Specifications/ordering overview



Door thickness mm	Spindle	Thread length mm	Cat. No.
37 – 47	110	50	917.90.420
47 – 57	120	60	917.90.421
57 – 67	130	70	917.90.422
67 – 77	140	80	917.90.423
77 – 87	150	90	917.90.424

Ordering unit mounting material for fire resistant and smoke control doors

1 Spindle
3 Threaded screws

Locking ring pliers



Technical description

- Area of application: For mounting the lever handle spindle.

Specifications/ordering overview

	Cat. No.
Locking ring pliers	917.90.900

Special tool



Technical description

- Function: For removing the inner hood: Battery change. The cover cap of the cylinder aperture on the external module can be removed with the magnet: Emergency opening
- Version: Bright aluminium.
With integrated magnet.

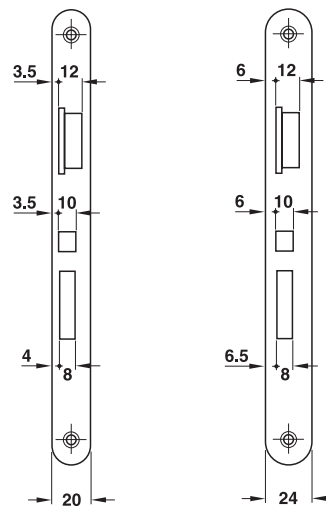
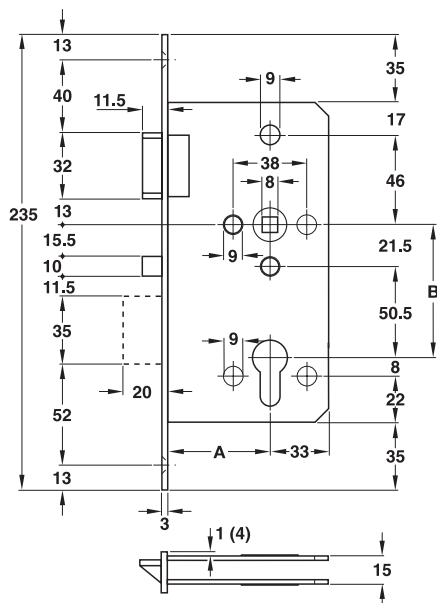
Specifications/ordering overview



	Cat. No.
Special tool	917.90.031

Mortise lock for DT and DTSH, grade 3

With self-locking action



Forend width 20 mm for rebated doors
Forend width 24 mm for flush doors

- Area of application: For single wooden doors, for rebated or flush doors, suitable for Dialock DT door terminal sets and Dialock DTSH door terminal modules
- Material: Forend: Stainless steel, latch: Steel malleable, deadbolt and lock case: Steel, lever follower: Malleable cast
- Closure: Prepared for profile cylinder
- Deadbolt: 1 turn
- Version: Comfort function (panic function), with key action
- Forend: Round
- Lever follower: 8 mm
- Distance B: 72 mm
- Standard: Grade 3 in compliance with DIN 18 251, part 1

Function

Delayed self-locking action: The deadbolt pre-locks automatically only when the latch is in end position.
With bolt forward action: The deadbolt is retracted faster than the latch.
Automatic closing with noise reduction.

Emergency opening function

Door is always locked.
Opening of door from inside: By activating the lever handle, the latch and deadbolt are retracted simultaneously.
Opening of door from outside: The latch and deadbolt are retracted with a mechanical key.

Note

Combinations with electric strikes not possible.
For cylinder fixing only use supplied screw.

Specifications/ordering overview



Forend width mm	Mounting	Stainless steel satin finish	Stainless steel gold plated
Backset 55 mm			
20	DIN left hand	911.17.222	911.17.242
	DIN right hand	911.17.223	911.17.243
24	DIN left hand	911.17.228	911.17.248
	DIN right hand	911.17.229	911.17.249
Backset 65 mm			
20	DIN left hand	911.17.224	911.17.244
	DIN right hand	911.17.225	911.17.245
24	DIN left hand	911.17.230	911.17.250
	DIN right hand	911.17.231	911.17.251
Backset 80 mm			
20	DIN left hand	911.17.226	911.17.246
	DIN right hand	911.17.227	911.17.247
24	DIN left hand	911.17.232	911.17.252
	DIN right hand	911.17.233	911.17.253

Supplied with

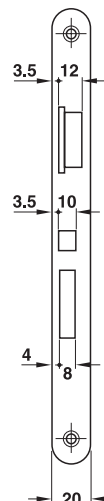
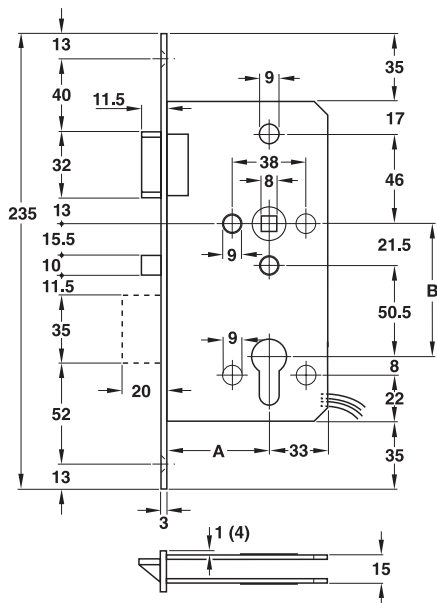
- 1 Mortise lock
- 1 Cylinder fixing screw

Striking plates

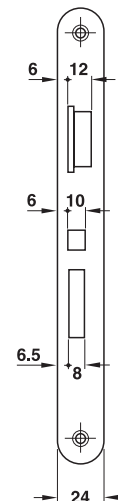
► Page DK 86

Mortise lock for DTSH FH F

With self-locking action and feedback



Forend width 20 mm
for rebated doors



Forend width 24 mm
for flush doors

- Area of application: For single wooden doors, for rebated or flush doors, suitable for Dialock DTSH FH door terminal sets
- Material: Forend: Stainless steel, latch: Steel malleable, deadbolt and lock case: Steel, lever follower: Malleable cast
- Closure: Prepared for profile cylinder
- Deadbolt: 1 turn
- Version: Monitoring the emergency opening, Comfort function (panic function), with key action
- Forend: Round
- Lever follower: 9 mm
- Distance B: 72 mm

Function

Delayed self-locking action: The deadbolt pre-locks automatically only when the latch is in end position.
With bolt forward action: The deadbolt is retracted faster than the latch.
Automatic closing with noise reduction.
With integrated micro switch for monitoring the mechanical emergency opening.

Emergency opening function

Door is always locked.
Opening of door from inside: By activating the lever handle, the latch and deadbolt are retracted simultaneously.
Opening of door from outside: The latch and deadbolt are retracted with a mechanical key.

Note

Combinations with electric strikes not possible.
For cylinder fixing only use supplied screw.

Specifications/ordering overview



Forend width mm	Mounting	Stainless steel satin finish	Stainless steel gold plated
Backset 55 mm			
20	DIN left hand	911.17.322	911.17.342
	DIN right hand	911.17.323	911.17.343
24	DIN left hand	911.17.328	911.17.348
	DIN right hand	911.17.329	911.17.349
Backset 65 mm			
20	DIN left hand	911.17.324	911.17.344
	DIN right hand	911.17.325	911.17.345
24	DIN left hand	911.17.330	911.17.350
	DIN right hand	911.17.331	911.17.351
Backset 80 mm			
20	DIN left hand	911.17.326	911.17.346
	DIN right hand	911.17.327	911.17.347
24	DIN left hand	911.17.332	911.17.352
	DIN right hand	911.17.333	911.17.353

Supplied with

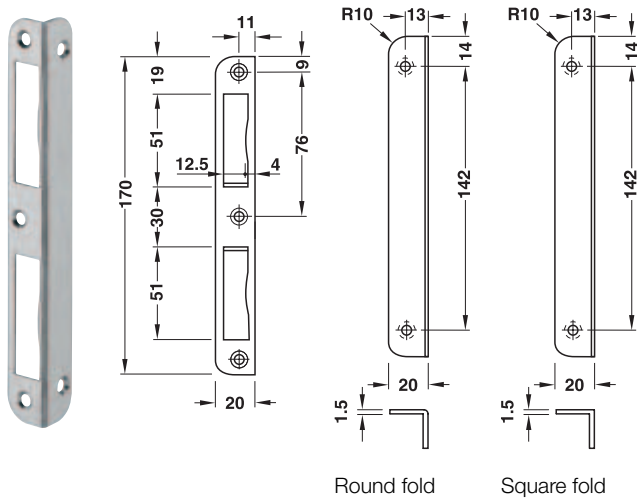
- 1 Mortise lock
- 1 Cylinder fixing screw

Striking plates

▶ Page DK 86

DK 2006, HDE, 09/06; Dimensional data not binding. We reserve the right to alter specifications without notice.

Angled striking plate



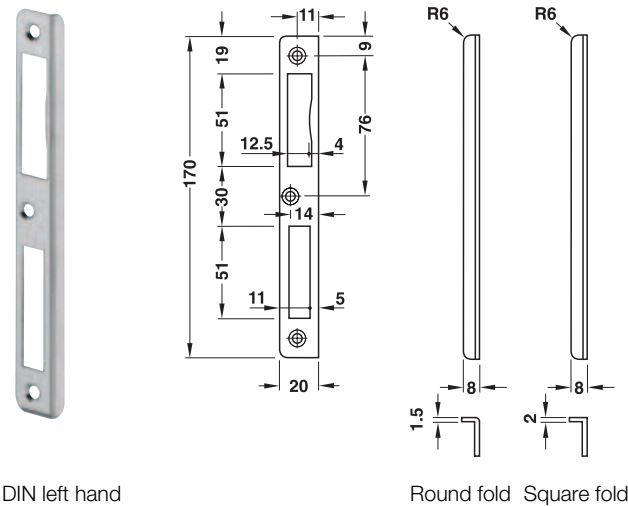
- Area of application: For wooden frames, for rebated doors
- Version: Round or square
- Mounting: For DIN left hand and DIN right hand use

Specifications/ordering overview



Version	Material	Finish	Cat. No.
Round	Stainless steel	Matt	911.39.001
Square	Brass	Polished with protective lacquer	911.39.002
Round	Steel	White lacquered	911.39.022
		Nickel silver colour lacquered	911.39.021
		Brass coloured, hammer effect enamelled lacquered	911.39.020

Angled striking plate



DIN left hand

Round fold Square fold

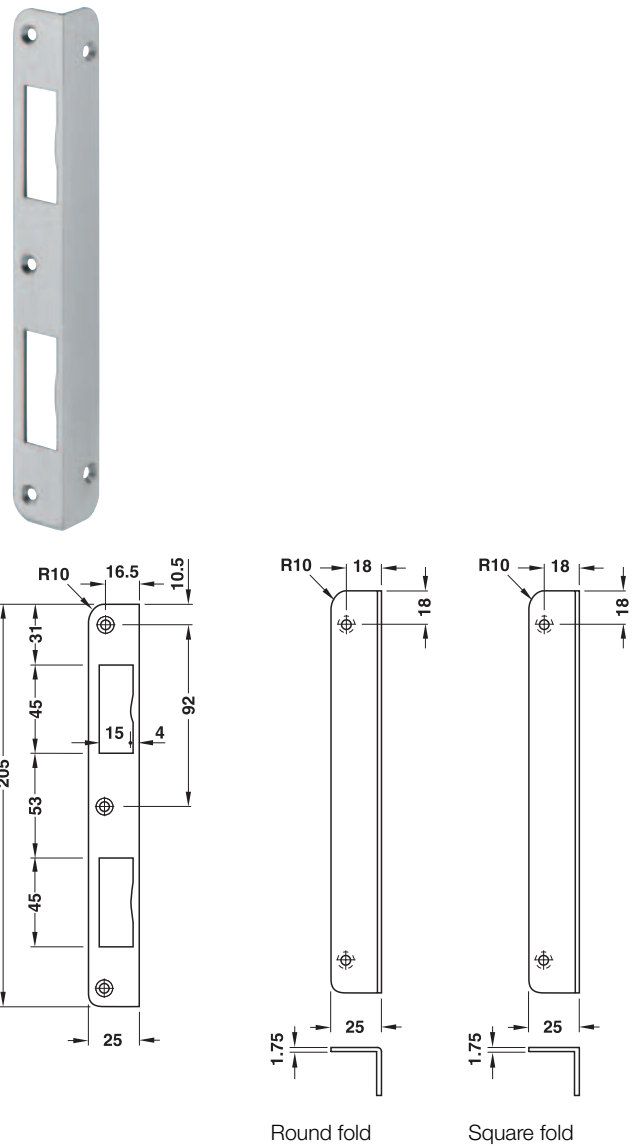
- Area of application: For wooden frames, for rebated doors, for mortise locks with high deadbolt
- Version: Round or square

Specifications/ordering overview



Version	Material	Finish	DIN left hand	DIN right hand
Round	Stainless steel	Matt	911.39.023	911.39.024
Square	Brass	Polished with protective lacquer	911.39.025	911.39.026

Angled striking plate



- Area of application: For wooden frames, for rebated doors
- Version: Round or square
- Mounting: For DIN left hand and DIN right hand use

Specifications/ordering overview



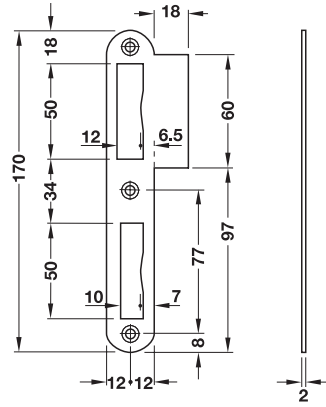
Version	Material	Finish	Cat. No.
Round	Stainless steel	Matt	911.39.029
Square	Brass	Polished with protective lacquer	911.39.030
Round	Steel	Nickel silver colour lacquered	911.39.028
		Brass coloured, hammer effect enamelled lacquered	911.39.027

DK 2006, HDE, 09/06; Dimensional data not binding. We reserve the right to alter specifications without notice.

Flanged striking plate



DIN left hand



- Area of application: For wooden frames, for flush doors
- Version: Straight flange

Specifications/ordering overview

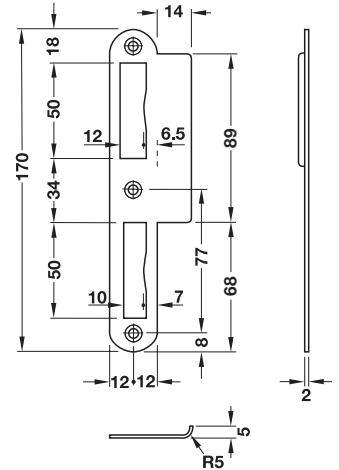


Material	Finish	DIN left hand	DIN right hand
Stainless steel	Matt	911.39.003	911.39.004
Brass	Polished with protective lacquer	911.39.005	911.39.006
Steel	Brass col., hammer effect enamelled lacq.	911.39.047	911.39.048
	Nickel silver colour lacquered	911.39.049	911.39.050
	White lacquered	911.39.051	911.39.052

Flanged striking plate



DIN left hand



- Area of application: For wooden frames, for flush doors, in combination with DTSH
- Version: Curved flange

Specifications/ordering overview

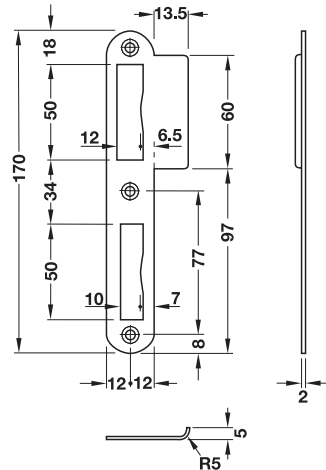


Material	Finish	DIN left hand	DIN right hand
Stainless steel	Matt	917.90.040	917.90.041
	Polished	917.90.042	917.90.043
Brass	Polished	917.90.044	917.90.045

Flanged striking plate



DIN left hand



- Area of application: For wooden frames, for flush doors
- Version: Curved flange

Specifications/ordering overview

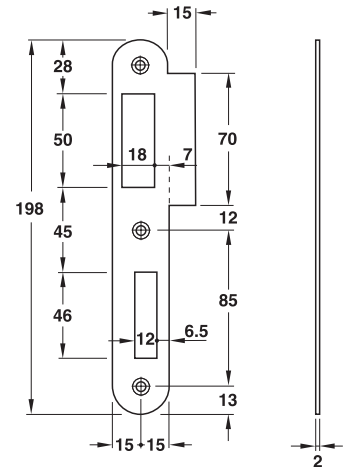


Material	Finish	DIN left hand	DIN right hand
Stainless steel	Matt	911.39.007	911.39.008
Brass	Polished with protective lacquer	911.39.009	911.39.010
Steel	Brass col., hammer effect enamelled lacq.	911.39.053	911.39.054
	Nickel silver colour lacquered	911.39.055	911.39.056
	White lacquered	911.39.057	911.39.058

Flanged striking plate



DIN left hand



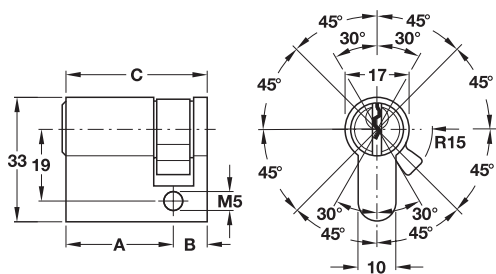
- Area of application: For wooden frames, for flush doors
- Version: Straight flange

Specifications/ordering overview



Material	Finish	DIN left hand	DIN right hand
Stainless steel	Matt	911.39.031	911.39.032
Brass	Polished with protective lacquer	911.39.033	911.39.034

StarTec Single cylinder



- Material: Cylinder housing: Brass
- Closure: With different key changes, keyed alike S11 or S12
- Locking system: With 5 pin tumblers
- Version: Follower adjustable to 12 positions
- Standard: In compliance with EN 1303 with DIN 18 252/09-1999

Note

No secured locking.

Supplied with

- 1 Single profile cylinder
- 3 Nickel plated steel keys
- 1 Fixing screw

→ With different key changes



Specifications/ordering overview

Dim. A mm	Dim. B mm	Dim. C mm	Nickel plated matt	Polished
27.5	10	37.5	916.00.601	916.00.651
31.5	10	41.5	916.00.602	916.00.652
35.5	10	45.5	916.00.603	916.00.653
40.5	10	50.5	916.00.604	916.00.654
55.5	10	65.5	916.00.605	-
60.5	10	70.5	916.00.606	-
65.5	10	75.5	916.00.607	-
70.5	10	80.5	916.00.608	-

→ Keyed alike



Specifications/ordering overview

Dim. A mm	Dim. B mm	Dim. C mm	S11 Nickel plated matt	S11 Polished	S12 Nickel plated matt
27.5	10	37.5	916.00.611	916.00.661	916.00.621
31.5	10	41.5	916.00.612	916.00.662	916.00.622
35.5	10	45.5	916.00.613	916.00.663	916.00.623
40.5	10	50.5	916.00.614	916.00.664	916.00.624
45.5	10	55.5	916.00.610	-	-
50.5	10	60.5	916.00.619	-	-