

KC Key card

→ Legic® or Tag-it™-ISO



Technical description

- **Function:** Electronic key for Dialock.
4 independent locking authorisations per key card possible.
- **Version:** Wear and tear free (contactless data transfer), maintenance free (without batteries), insensitive to external influences such as wetness, moisture, magnetic fields, mechanical vibrations, dust.

Can be reprogrammed at least 100,000 times.

Forgery-proof unique number.

Plastic white.

Technical data

Dimensions	54 x 85 mm (credit card size)
Ambient temperature (operation)	-35 – +50 °C
Data storage	≥10 years

Ordering unit KC key card

1 KC Key card

Specifications/ordering overview



	Technology	Cat. No.
	Legic®	917.24.077
	Tag-it™-ISO	917.44.011

Order reference

Customised imprint on request: Print and customise.
Customised segmentation for Legic® technology on request.

Card holder and short clip



→ Card holder without short clip

Technical description

- **Function:** For accommodating and protecting key cards.
- **Version:** Plastic transparent.

3 attachment methods for right, left or vertical dispense.

Specifications/ordering overview



		Cat. No.
	Card holder	917.94.080

Ordering unit card holder without short clip

50 Card holders

Order reference

Other card holders on request.

→ Short clip

Technical description

- **Function:** For attaching the card holder to a piece of clothing.
- **Version:** Plastic double inset.

Specifications/ordering overview



		Cat. No.
	Short clip	917.94.081

Ordering unit short clip

50 Short clips

KT Key tag

→ Legic® or Tag-it™-ISO



Legic®



Tag-it™-ISO

Technical description

- **Function:** Electronic keys for Diallock as key ring.
4 independent locking authorisations per key tag possible.
- **Version:** Insensitive to moisture and wetness.
Plastic.

Technical data

Diameter	31 mm
Ambient temperature (operation)	-35 – +50 °C
Data storage	≥10 years

Specifications/ordering overview



	Technology	Colour	Cat. No.
	Legic®	Red	917.24.099
		Blue	917.24.098
	Tag-it™-ISO	Red	917.44.099
		Blue	917.44.098

Ordering unit KT key tag

1 KT Key tag

KW Key watch

→ Legic®



Technical description

- **Function:** Electronic key for Diallock integrated in Junghans wrist watch.
2 independent locking authorisations per key watch possible.
- **Version:** Plastic housing.
Leather strap.

Technical data

Diameter	28 mm (watch face)
----------	--------------------

Specifications/ordering overview



	Technology	Cat. No.
	Legic®	917.24.057

Ordering unit KW key watch

1 KW Key watch

Order reference

Other versions available on request.

Key fob

→ Tag-it™-ISO



Technical description

- **Function:** Electronic key for Diallock as key ring.
- **Version:** Wear and tear free (contactless data transfer), maintenance free (without batteries), insensitive to external influences such as wetness, moisture, magnetic fields, mechanical vibrations, dust.

Can be reprogrammed at least 100,000 times.

Forgery-proof unique number.


Plastic white.

Technical data

Dimensions	54 x 28 mm
Ambient temperature (operation)	-35 – +50 °C
Data storage	≥10 years

Specifications/ordering overview



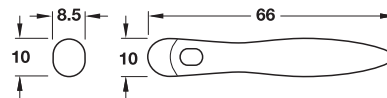
	Technology	Cat. No.
	Tag-it™-ISO	917.44.307

Ordering unit key fob

1 Key Fob

KS Key stick

→ Tiris®



Technical description

- **Function:** Electronic key for Diallock.
- **Area of application:** For use in combination with DFT furniture terminal with Tiris® processor.
- **Version:** Black plastic body with coloured tip.

Technical data

Ambient temperature (operation)	-25 – +85 °C
Data storage	≥10 years

Specifications/ordering overview



	Technology	Colour	Cat. No.
	Tiris®	Black	917.04.000
		Yellow	917.04.003
		Blue	917.04.004
		Grey	917.04.005
		Orange	917.04.006

Ordering unit KS key stick

1 KS Key stick

Cross reference

DFT/B Tiris® Furniture terminal	▶ Page DK 33
DFT/O Tiris® Furniture terminal	▶ Page DK 35

KB Key wristband

→ Legic® or Tag-it™-ISO



Legic® technology



Tag-it™-ISO technology

Technical description

- **Function:** Electronic key for Diallock as wristband.
1 locking authorisation per key wristband possible.
- **Area of application:** In combination with locker lock.
- **Version:** Polyamide.
Body:
Anthracite grey, RAL 7016 (with Legic® version).
Black with white insert (with Tag-it™-ISO version).
Wristband available in different colours.

Technical data

Ambient temperature (operation)	-35 – +50 °C
Data storage	≥10 years

Specifications/ordering overview



	Technology	Colour	Cat. No.
	Legic®	Black	917.24.203
		Yellow	917.24.206
		Blue	917.24.208
		Red	917.24.209
		Green	917.24.200
	Tag-it™-ISO	Black	917.44.203
		Yellow	917.44.206
		Blue	917.44.208
		Red	917.44.209
		Green	917.44.200

Ordering unit KB key wristband

1 KB Key wristband

Order reference

Customised imprint for version with Tag-it™-ISO technology on request: Print and customise.

Number plate



Technical description

- **Area of application:** For attaching to KB key wristband.
- **Version:** With 4-digit number.
Polyamide.

Specifications/ordering overview



Colour	Cat. No.
Black	231.81.013
Yellow	231.81.016
Blue	231.81.018
Red	231.81.019
Green	231.81.010

Ordering unit number plate

50 Number plates

Order reference

When ordering, specify the required number (4 digits) for the label.

Cross reference

Locker lock

▶ Page DK 39

Programming key card

→ Legic® or Tag-it™-ISO



Technical description

- Function: For granting access authorisations without software and programming station.
- Area of application: Small projects with few Dialock keys.
- Version: Plastic.

Technical data

Dimensions	54 x 85 mm (credit card size)
------------	-------------------------------

Specifications/ordering overview



	Technology	Cat. No.
	Legic®	917.22.023
	Tag-it™-ISO	917.42.001

Ordering unit programming key card

1 Programming key card

Clearing key card

→ Legic® or Tag-it™-ISO



Technical description

- Function: For withdrawing access authorisations without software and programming station.
- Area of application: Small projects with few Dialock keys.
- Version: Plastic.

Technical data

Dimensions	54 x 85 mm (credit card size)
------------	-------------------------------

Specifications/ordering overview



	Technology	Cat. No.
	Legic®	917.22.024
	Tag-it™-ISO	917.42.002

Ordering unit clearing key card

1 Clearing key card

Open Time 74 Configuration key card

→ Tag-it™-ISO



Technical description

- Function: Changing the opening period at DFT/B furniture terminal to up to 120 seconds. (standard setting 3 seconds).
- Area of application: For use in combination with DFT/B furniture terminal with Tag-it™-ISO processor.
- Version: Plastic.

Technical data

Dimensions	54 x 85 mm (credit card size)
------------	-------------------------------

Specifications/ordering overview



	Technology	Cat. No.
	Tag-it™-ISO	917.42.021

Ordering unit Open Time 74 configuration key card

1 Open Time 74 Configuration key card

Cross reference

DFT/B Tag-it™-ISO Furniture terminal ▶ Page DK 34

Parameter key card

→ Legic® or Tag-it™-ISO



Technical description

- Function: For transferring configuration parameters from the programming station to the locker lock (from version 7 onwards).
- Area of application: For use in combination with locker lock.
- Version: Plastic.

Technical data

Dimensions	54 x 85 mm (credit card size)
------------	-------------------------------

Specifications/ordering overview



	Technology	Cat. No.
	Legic®	917.22.029
	Tag-it™-ISO	917.42.029

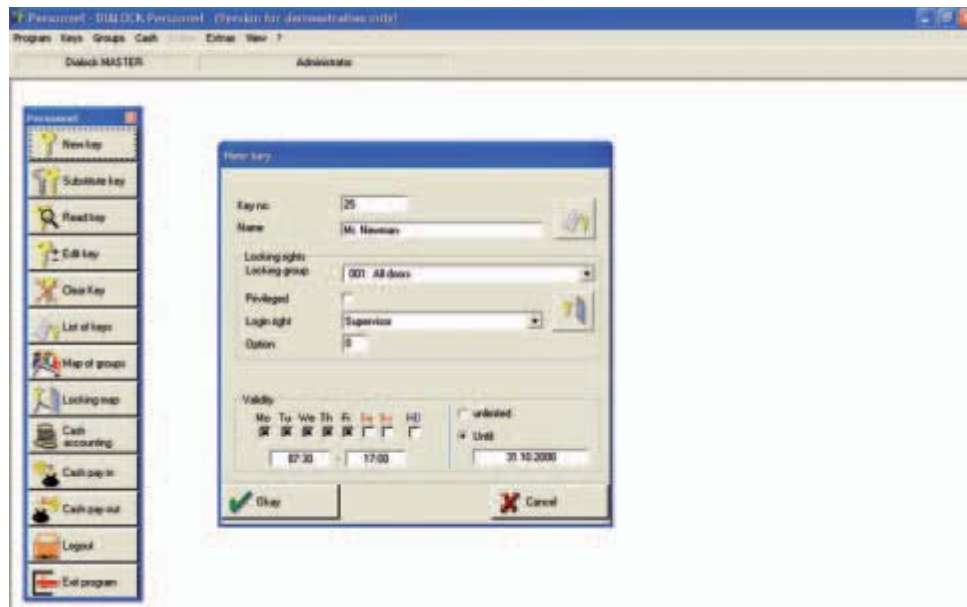
Ordering unit parameter key card

1 Parameter key card

Cross reference

Locker lock ▶ Page DK 39

Personnel SP Software full version



Example: Allocation of a personnel key

Technical description

- **Function:** Easy and clearly arranged administration of Diallock personnel keys (up to 10,000), doors (up to 10,000) and group locking authorisations (up to 250 groups).

For easy allocation of Diallock keys and creation of locking plans.

Optional:
Software for a greater number of keys and doors on request.

Locking authorisations
Defining group locking authorisations:
Groups with identical locking authorisations.

Defining time zones:
Restriction of locking authorisations to days and times of choice.

Optional:
Granting individual locking authorisations with add-on module Extended Personnel XPK software.

Key programming
For simple programming of replacement keys.
The lost key is automatically blocked when the replacement key is being used.

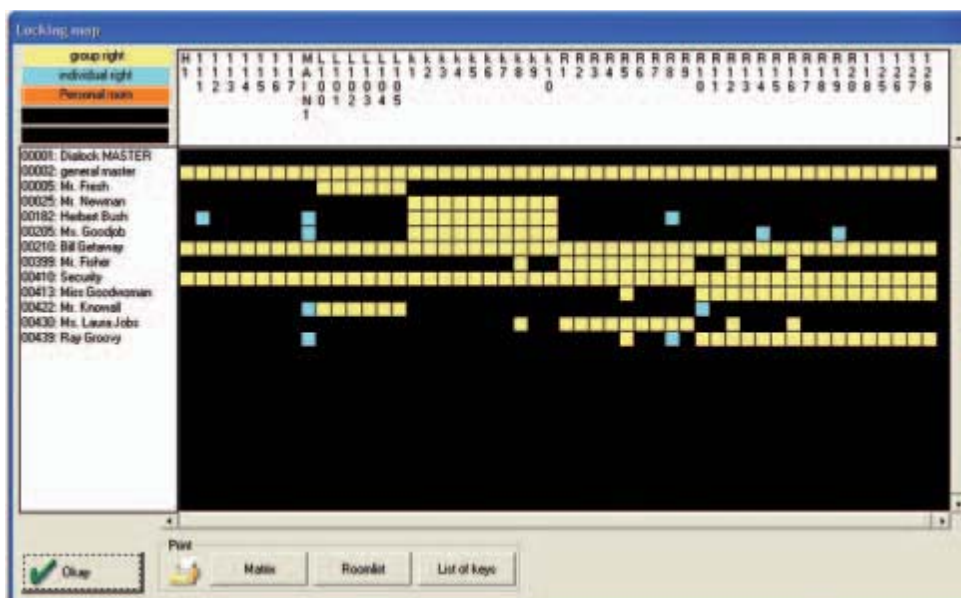
Locking plan
Assistance with creating locking plans.
Automatic graphical depiction of the actual locking plan including locking authorisations of all keys.
Selective search for personnel keys and rooms with convenient search functions.
Print functions for printing search results.

Security:
Program access only possible with special log-in keys.
User only has access to software applications according to his responsibility (5 access levels).
- **Area of application:** Medium size and large size projects (e.g. industrial and office buildings, hotels, clinics, retirement homes).
- **Add-on modules:** Extended Personnel XPK software:
For granting and administrating of individual locking authorisations.

Online-Modul SOM software:
For central administration of linked Diallock wall terminals via Diallock Online-Set.

Remote-Modul SRM software:
Add-on module for Online-Modul SOM software, only in combination with Diallock Online-Set TCP/IP.

Optional:
Module for import/export of key data from/in external database.
- **System requirements:** Windows 2000/XP, 40 MB free hard disk space, CD ROM drive, serial port.



Example: Administration of group locking authorisations



Specifications/ordering overview

	Language	Cat. No.
CD ROM	German	910.52.011
	English	910.52.012
	Spanish	910.52.013
	Italian	910.52.014
	French	910.52.015

Order reference

Please order add-on modules separately.

Add-on module Extended Personnel XPK software

Technical description

- **Function:** For granting individual locking authorisations for individual rooms. For individual adaption of group locking authorisations.



Specifications/ordering overview

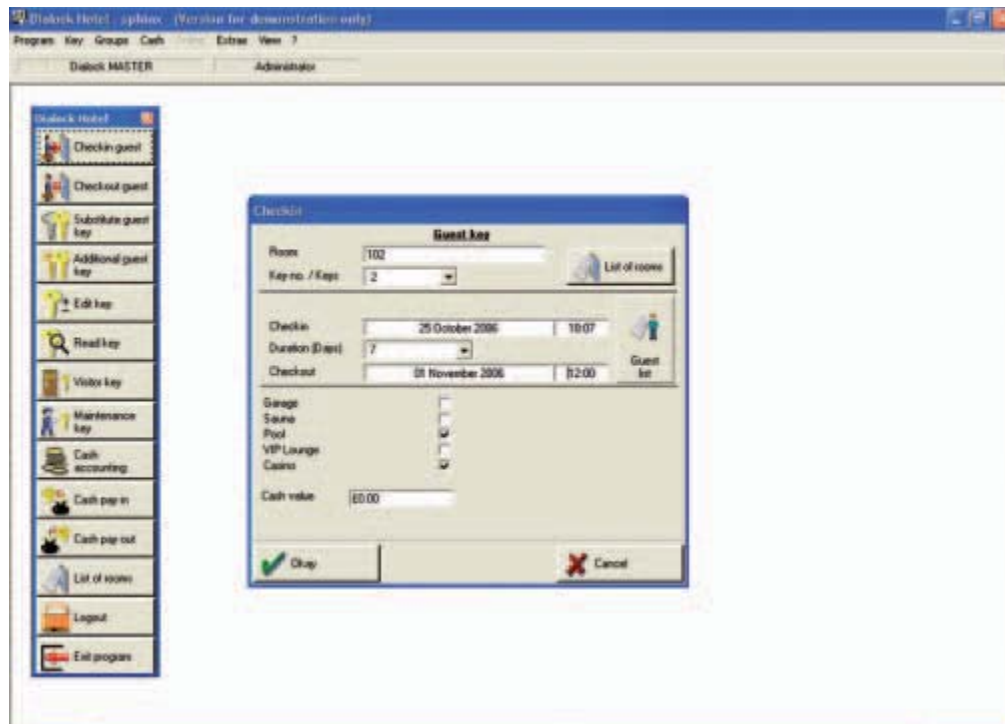
		Cat. No.
CD ROM	Extended Personnel XPK software	910.52.030

Cross reference

Online SOM Add-on module	► Page DK 53
Remote SRM Add-on module	► Page DK 53
ES Coding station	► Page DK 57

DK 2006, HDE, 09/06; Dimensional data not binding. We reserve the right to alter specifications without notice.

Hotel SH Software



Example: Allocation of a guest key

Technical description

- Function: Easy and clearly arranged administration and allocation of Dialock guest keys for hotels.

Administration of keys and rooms

For logging check-in/check-out of guest, service and visitor keys, number of issued replacement keys, release of guest rooms, setting up program users.

For administration of all key data in one database, monitoring access authorisation and room occupancy, indication of occupied rooms.

Defining guest groups, for fast check-in/check-out of guest groups, automatic compilation of room lists.

Programming of keys

Guest key:

Valid for the booked period of time, up to 4 guest keys per guest room, access authorisations for other hotel facilities (e.g. garage, pool).

Visitor key:

Time restricted access authorisation for days, hours or minutes, access authorisation for general facilities (e.g. pool, garage, sauna), no access authorisation for guest rooms.

Service personnel key:

Time restricted access authorisation for days, hours or minutes, access authorisation for the corresponding guest room.

Replacement key:

For simple programming of replacement keys.
The lost key is automatically blocked when the replacement key is being used.

Guest key with multi-functions:

The functions of up to 4 different keys can be programmed on one key (e.g. access authorisation for up to 4 guest rooms).

Security

Software access only possible with special log-in key.
User only has access to software applications according to his responsibility (5 access levels).

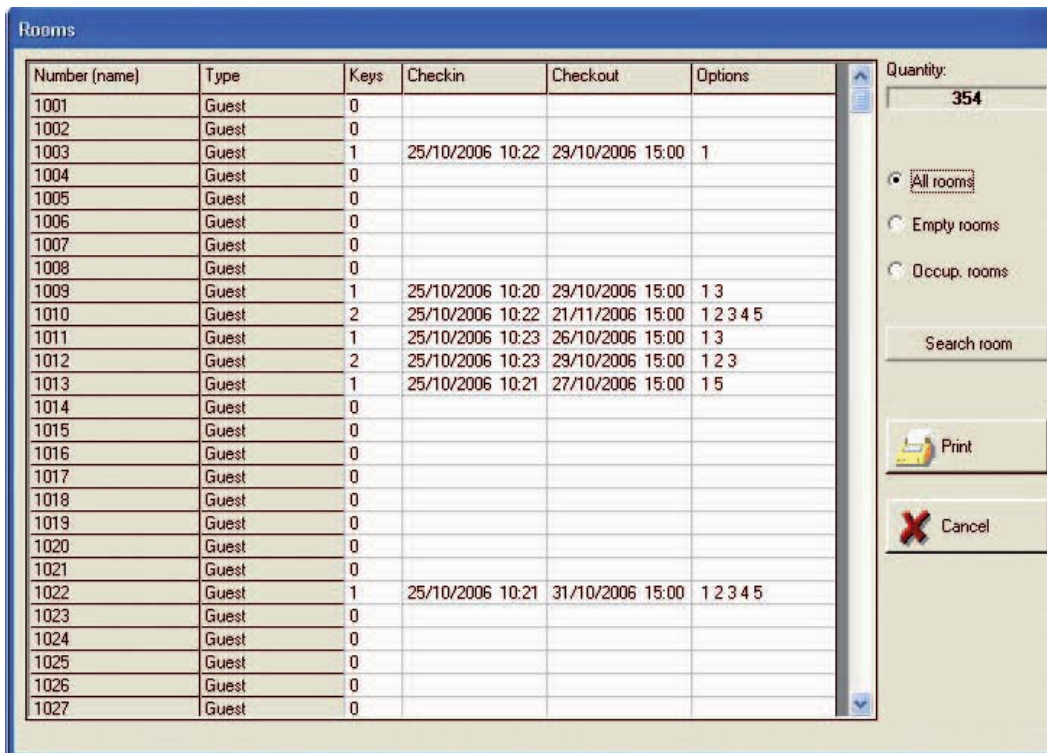
- Area of application: For hotels, resorts, B&B, guest houses, youth hostels.
- Add-on modules:
 - Online-Modul SOM:
For central administration of linked Dialock wall terminals via Dialock Online-Set.
 - Optional:
Module for import/export of key data from/in external database.
- System requirements: Windows 2000/XP, 40 MB free hard disk space, CD ROM drive, serial port.

Technical reference

Interfaces exist to hotel management systems such as Protel, Fidelio, Gubse, Hotline, Vellox, Amadeus etc. (the current interfaces can be found on the Häfele homepage).

The integration is provided by the Dialock ES coding station and a Windows-DLL or a XML-Interface.

Micros Fidelio and Amadeus are integrated via the Dialock ES coding station for Micros Fidelio and the Micros Fidelio interface software.



Example: Room management



Specifications/ordering overview

	Language	Cat. No.
CD ROM	German	910.52.121
	English	910.52.122
	Spanish	910.52.123
	Italian	910.52.124
	French	910.52.125

Order reference

Please order add-on module separately.

Micros Fidelio Interface software

Technical description

- **Function:** For integrating the Dialock system in the Macros Fidelio hotel management system. For simple allocation of keys in the event of hotel management system failure.
- **Area of application:** For linking of Micros Fidelio hotel management system.
- **Version:** Conforms to FIAS 1.5.1.



Specifications/ordering overview

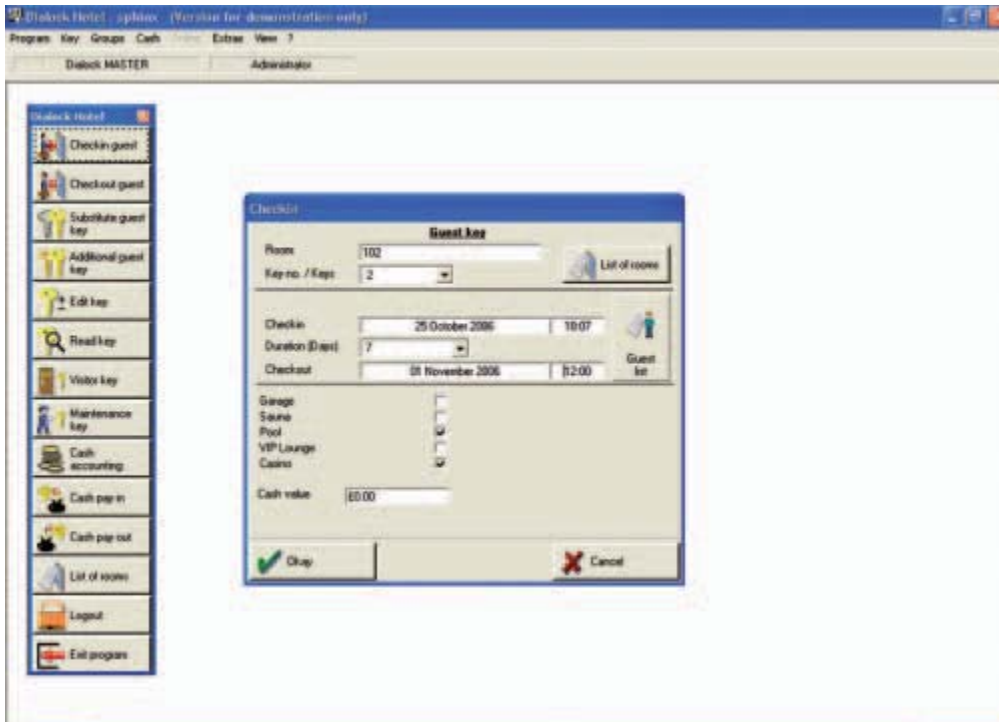
		Cat. No.
CD ROM	Micros Fidelio interface software	917.92.000

Cross reference

- Online SOM Add-on module ▶ Page DK 53
- ES Coding station ▶ Page DK 57
- ES coding station for Micros Fidelio ▶ Page DK 58

DK 2006, HDE, 09/06; Dimensional data not binding. We reserve the right to alter specifications without notice.

Hotel+ SH+ Software



Example: Allocation of a guest key

Technical description

- Function: Easy and clearly arranged administration and allocation of Dialock guest and personnel keys for hotels.

Administration of keys and rooms

For logging check-in/check-out of guest, service and visitor keys, number of issued replacement keys, release of guest rooms, setting up program users.

For administration of all key data in one database, monitoring access authorisations and room occupancy, indication of occupied rooms.

Defining guest groups, for fast check-in/check-out of guest groups, automatic compilation of room lists.

Programming of guest keys

Guest key:

Valid for the booked period of time, up to 4 guest keys per guest room, access authorisation for other hotel facilities (e.g. garage, pool).

Visitor key:

Time restricted access authorisation for days, hours or minutes, access authorisation for general facilities (e.g. pool, garage, sauna), no access authorisation for guest rooms.

Service personnel key:

Time restricted access authorisation for days, hours or minutes, access authorisation for the corresponding guest room.

Replacement key:

For simple programming of replacement keys.
The lost key is automatically blocked when the replacement key is being used.

Guest key with multi-functions:

The functions of up to 4 different keys can be programmed on one key (e.g. access authorisation for up to 4 guest rooms).

Programming of personnel keys

Defining group locking authorisations for groups with identical locking authorisations.

Defining time zones for restriction of locking authorisations to days and times of choice.

Locking plan

Assistance with creating locking plans.

Automatic graphical display of locking authorisations of the actual locking plan including locking authorisations of all keys.

Search for personnel keys and rooms with convenient search function.

Printing search results is possible.

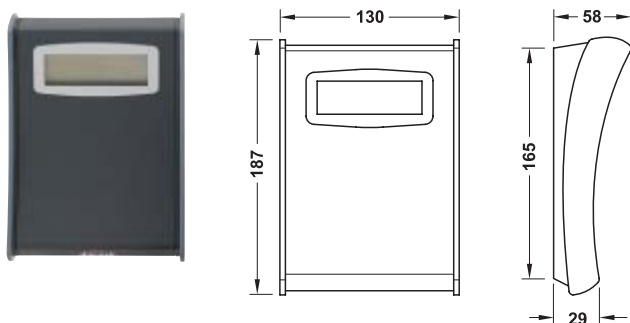
Security

Software access only possible with special log-in key.

User only has access to software applications according to his responsibility (5 access levels).

ES Encoding station

→ With Tag-it™ ISO processor




- **Functionality:** For encoding Dialock keys in combination with the Dialock software or for integration into external software (hotel management systems HMS).
- **Area of application:** For indoor use.
- **Version:** With USB interface for connection with the PC, display 4 x 20 characters.
Infrared interface for transferring data to the Dialock MDU mobile data unit.
- **Material:** Housing: Plastic
- **Colour:** Housing: Silver coloured/grey

Note

The encoding station can be integrated in hotel management systems from different providers via the Dialock HMS interface. Planning by Dialock specialist is necessary if linking to hotel management systems is required.

3



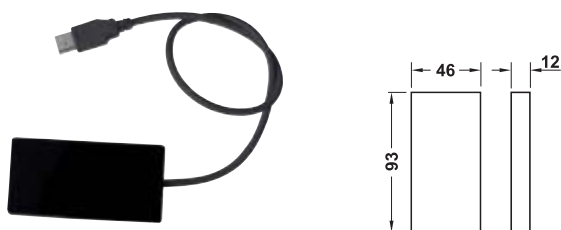
	Technology System	Cat. No.
	Tag-it™ ISO Dialock Standard	917.42.015

Supplied with

- 1 Encoding station
- 1 Master key
- 1 USB cable A/B, 2 m long

ES mini Encoding station


→ With Tag-it™ ISO processor



- **Functionality:** For encoding Dialock keys in combination with a PC and with Dialock software (Personnel, Hotel, Clinic, Universal).
- **Area of application:** For indoor use.
- **Version:** With USB cable for PC connection.
Without display, without infrared interface.
- **Material:** Housing: Plastic
- **Colour:** Housing and cable: Black

Note

The encoding station can be integrated in hotel management systems from different providers via the Dialock HMS interface. Planning by Dialock specialist is necessary if linking to hotel management systems is required.

	Technology System	Cat. No.
	Tag-it™ ISO Dialock Standard	917.42.017

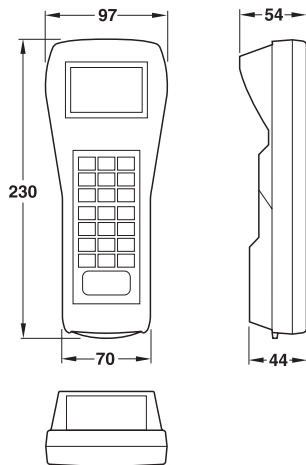
Supplied with

- 1 Encoding station
- 1 Master key
- 1 USB cable, 150 mm long
- USB extension cable, 1.80 m long

DGH-B-INT 2010, HDE-en, 06/10; Dimensional data not binding. We reserve the right to alter specifications without notice.

MDU Data transfer unit

→ With Legic® technology or Tag-it™-ISO technology



Technical description

- Function:** Fast and convenient configuration and integration of the individual components into the Dialock locking system.

Transfer of all data and settings which were set with the Dialock software (e.g. access authorisations, group definitions, terminal parameters).

Polling access logs at the terminal, setting room numbers, serial programming of terminals, terminal exchange, date and time settings.
- Area of application:** Data transfer in combination with software and coding station.
- Version:** Membrane keypad, LC display, illuminated background.

Infrared and wired interface for communication between MDU and components.

2 language settings available


Plastic anthracite housing, similar to RAL 7020.

Technical data

Power supply	4 Alkaline manganese AA 1.5 V (Mignon) type E91
Weight including batteries	approx. 500 g
Display	128 x 64 pixel
User interface language (bilingual)	First language English, second language depending on the version: German, French, Spanish or Italian

Specifications/ordering overview



	Language	Legic® technology	Tag-it™-ISO technology
	German/English	917.22. 141	917.42. 141

Ordering unit MDU data transfer unit

- 1 Data transfer unit
- 1 Transponder (as card)
- 1 Serial adapter
- 1 Serial data cable DB 9

Order reference

Please order batteries (Cat. No. 910.54.980) separately.
Please order adapter cable USB to RS232 interface separately, if required.

Cross reference

Adapter cable	▶ Page DK 60
Battery	▶ Page DK 65

Programming cable for DTSH



Technical description

- Area of application: Cable for connecting the DTSH door terminal with the MDU data transfer unit.

Specifications/ordering overview



	Cat. No.
Programming cable for DTSH	917.90.263

Programming cable for locker lock

Technical description

- Area of application: Cable for connecting the locker lock with the MDU data transfer unit.

Specifications/ordering overview



	Cat. No.
Programming cable for locker lock	917.90.264

Adapter cable

Technical description

- Version: Interface converter USB to RS232 for Windows 2000, XP.

Specifications/ordering overview



	Cat. No.
Adapter cable	917.92.005