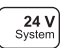


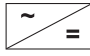
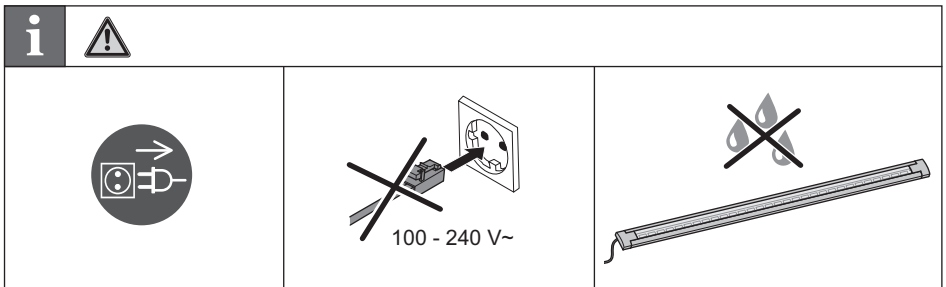
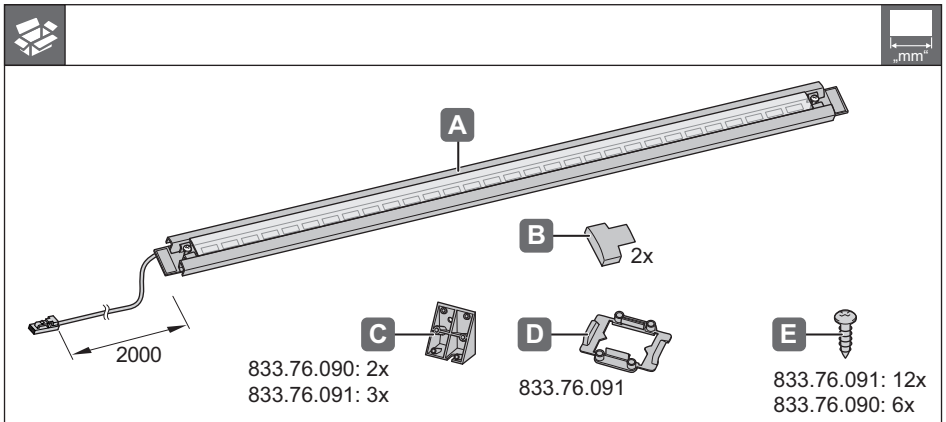




LED 3019

833.76.090
833.76.091

|  | K | W | T_A |  |  |  |
|---|----------|----------|-----------------------------------|---|---|--|
| 833.76.090 | 4000 K | 11.5 W | -20 °C – +35 °C -4 °F – +95 °F | 512 x 40 x 13 | ≥ 522 x 50 x 23 | 833.77.900 |
| 833.76.091 | | 19.0 W | | 812 x 40 x 13 | | 833.77.912 |
| | | | | | | 833.77.913 |
| | | | | | | 833.77.914 |
| | | | | | | 833.77.915 |



HDE 30.11.2012

732.28.282

