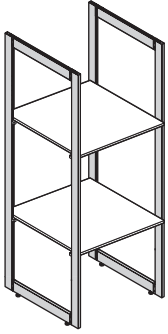




DressCode



806.33.551	806.33.751
806.33.552	806.33.752
806.33.556	806.33.756
806.33.557	806.33.757
806.33.558	806.33.758

732.28.840

HDE 14.04.2022

2x G

A

B

2x C

2x D

H

P

E 2x
4x25 IS20

Q

F

+

H

J 2x

I 2x

806.33.770
806.33.570

+

K 4x

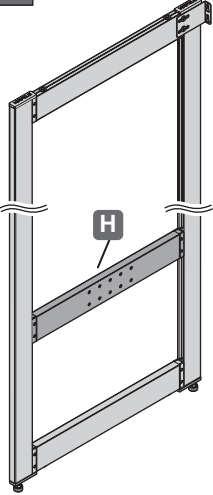
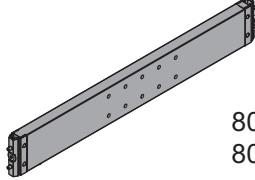
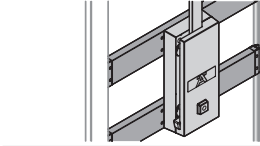
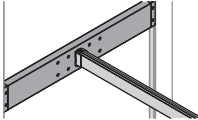
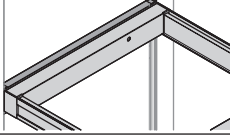
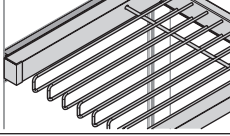
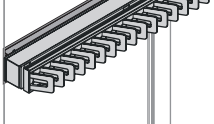
L 4x

M 4x

N 4x

806.33.581
806.33.781

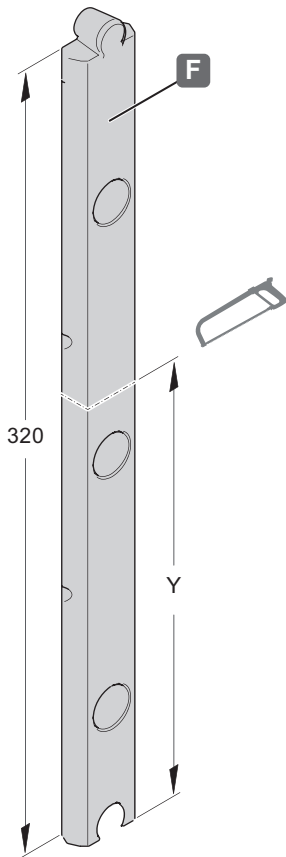
H		F
2300	14*	F
2940	18*	F

<div style="background-color: #333; color: white; padding: 5px; text-align: center; font-weight: bold; font-size: 24px;">i</div> 		 <p>806.33.770 806.33.570</p>
		4X
		2X
		2X
		2X
		1X

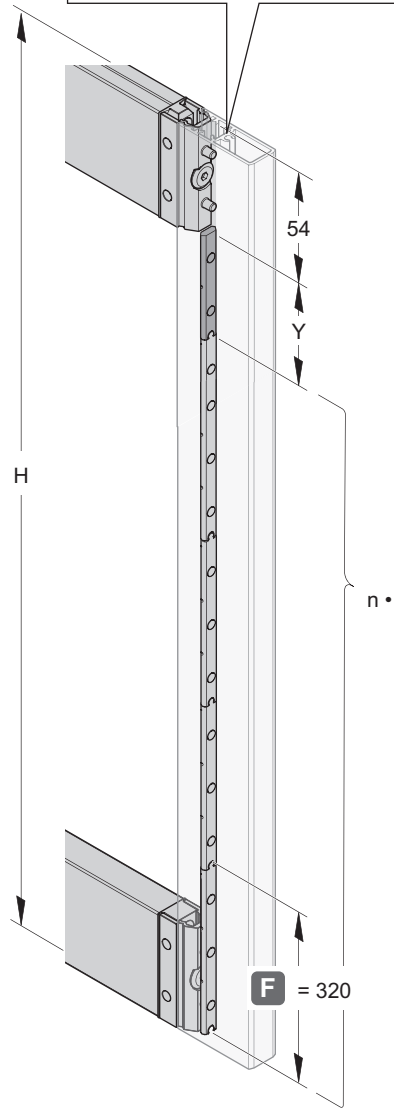
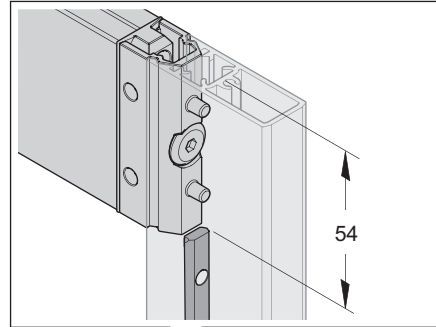
1



n	H / 320
Y	(H - 54) - n * 320

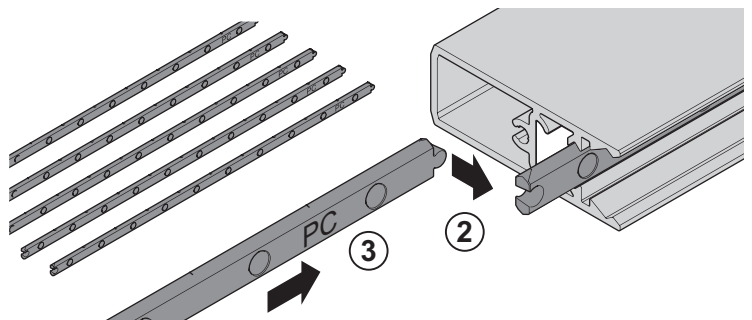
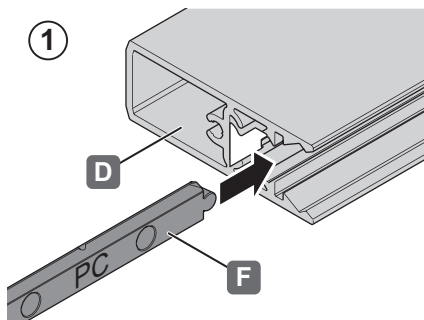


i



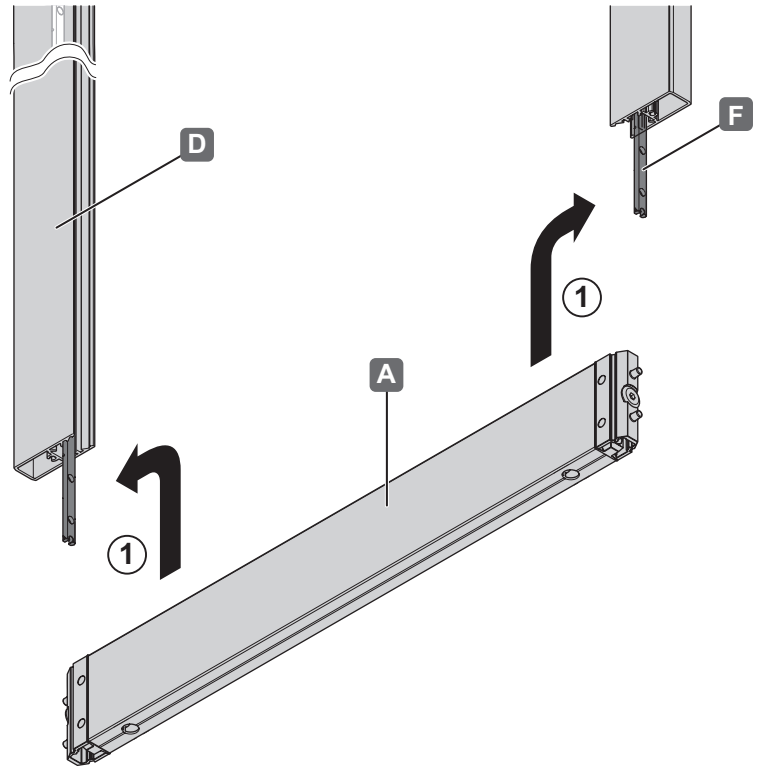
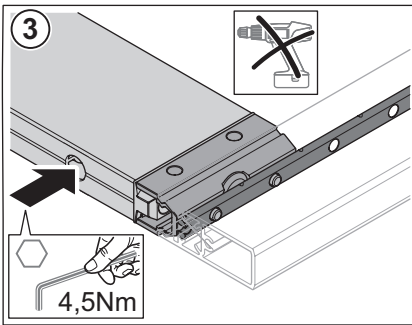
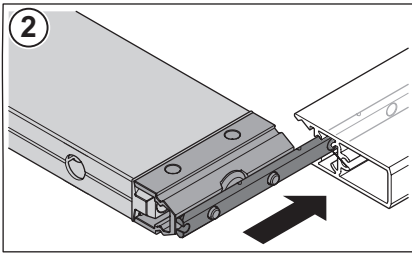
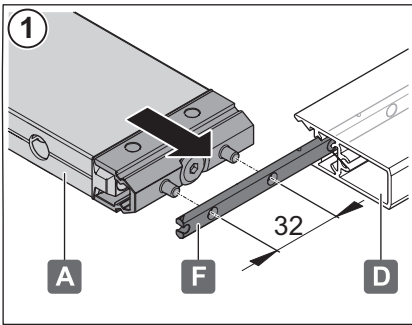
732.28.840

2

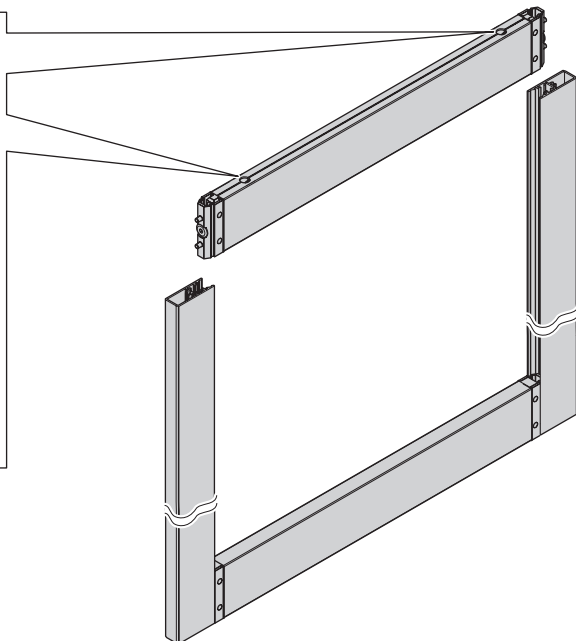
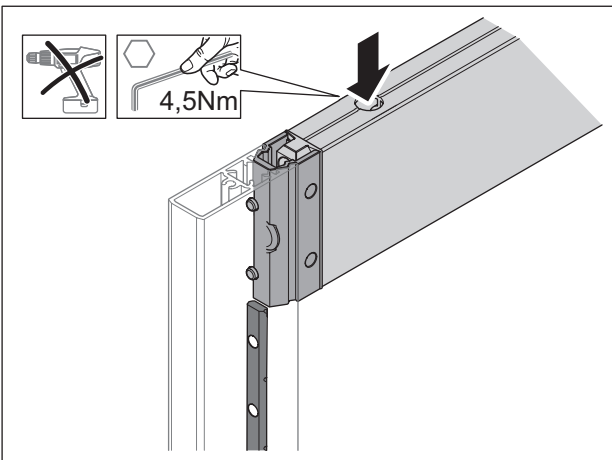


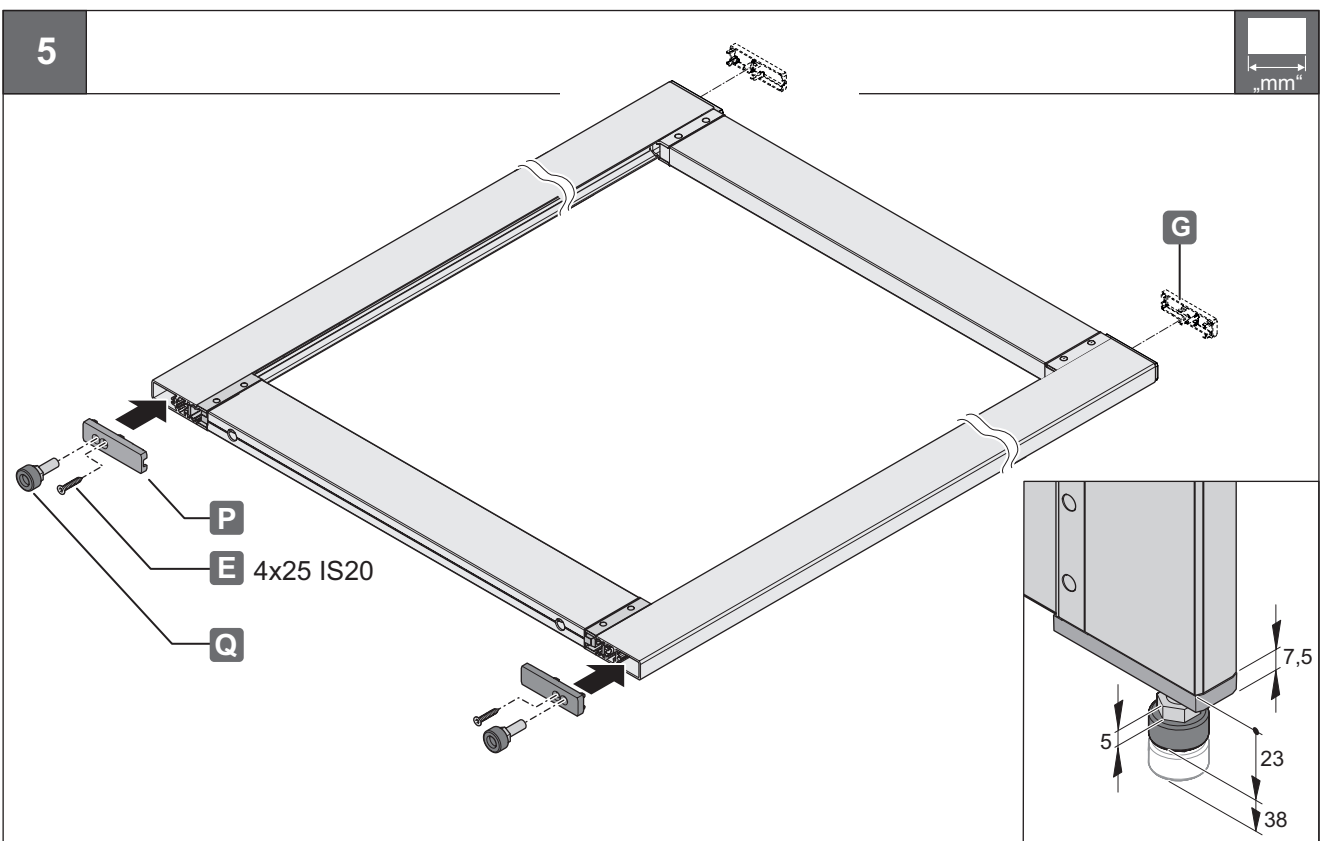
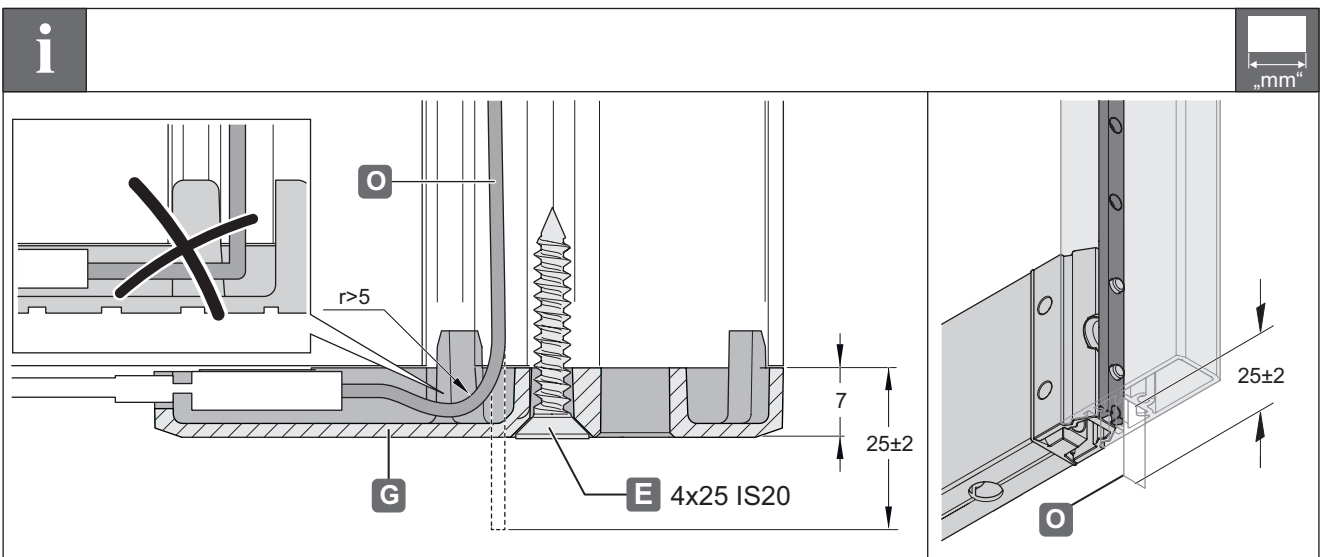
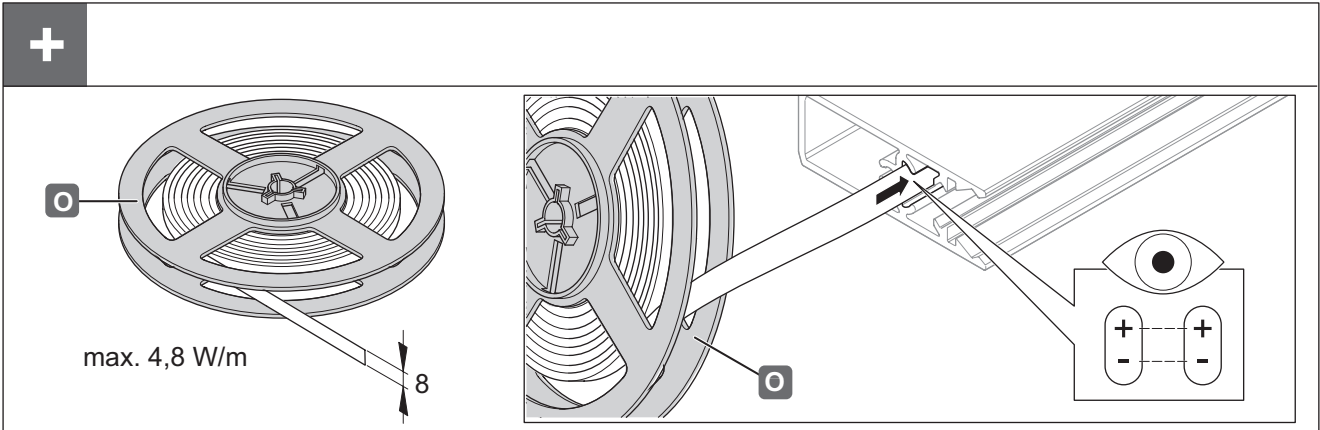
HDE 14.04.2022

3



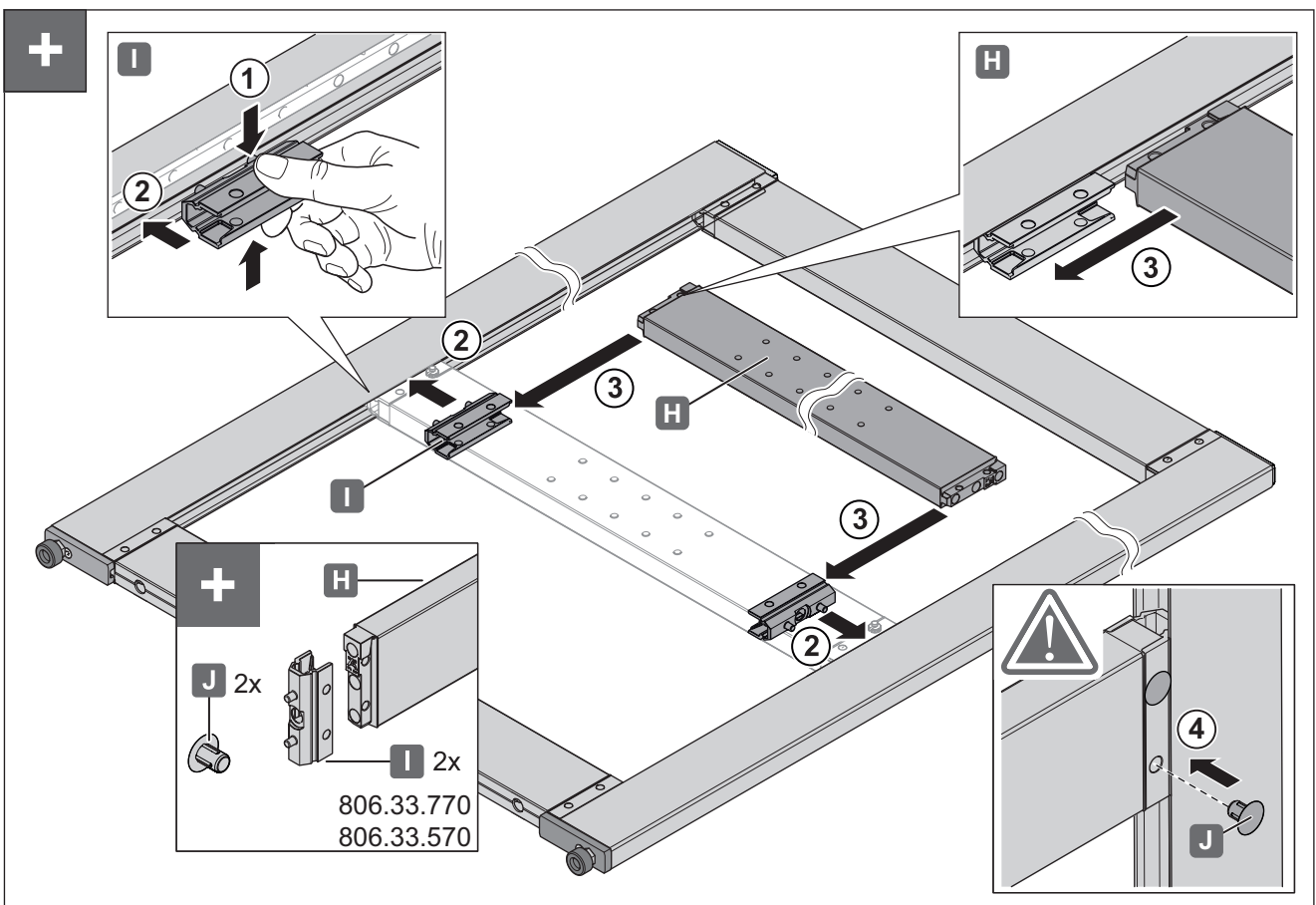
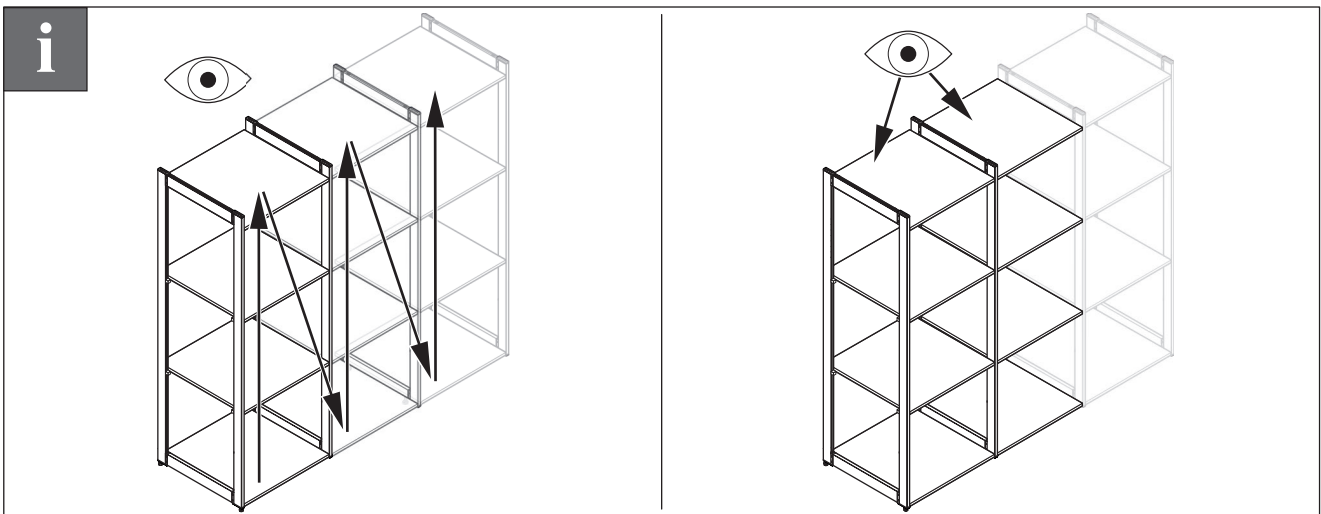
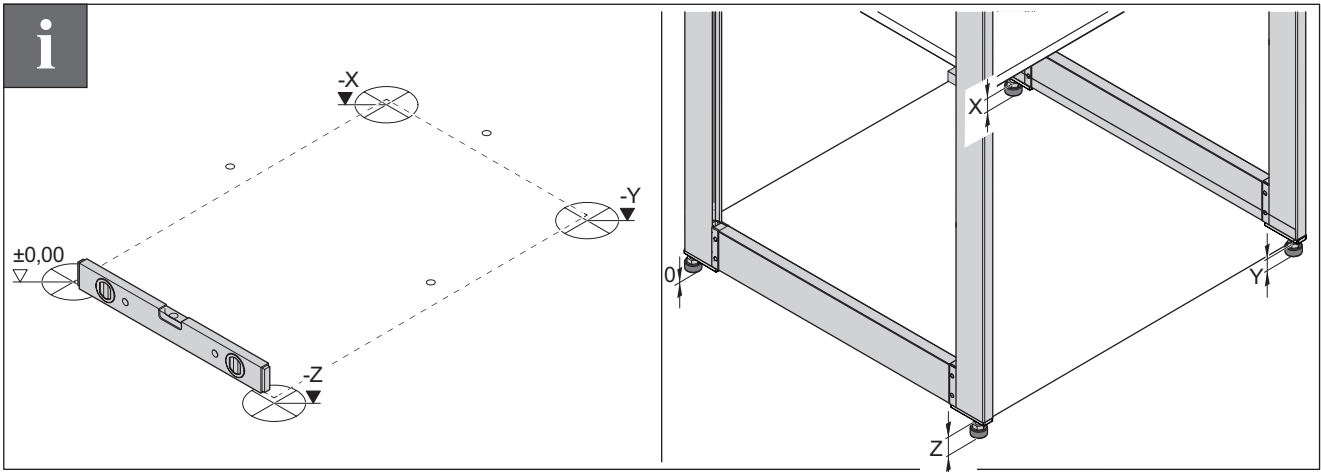
4





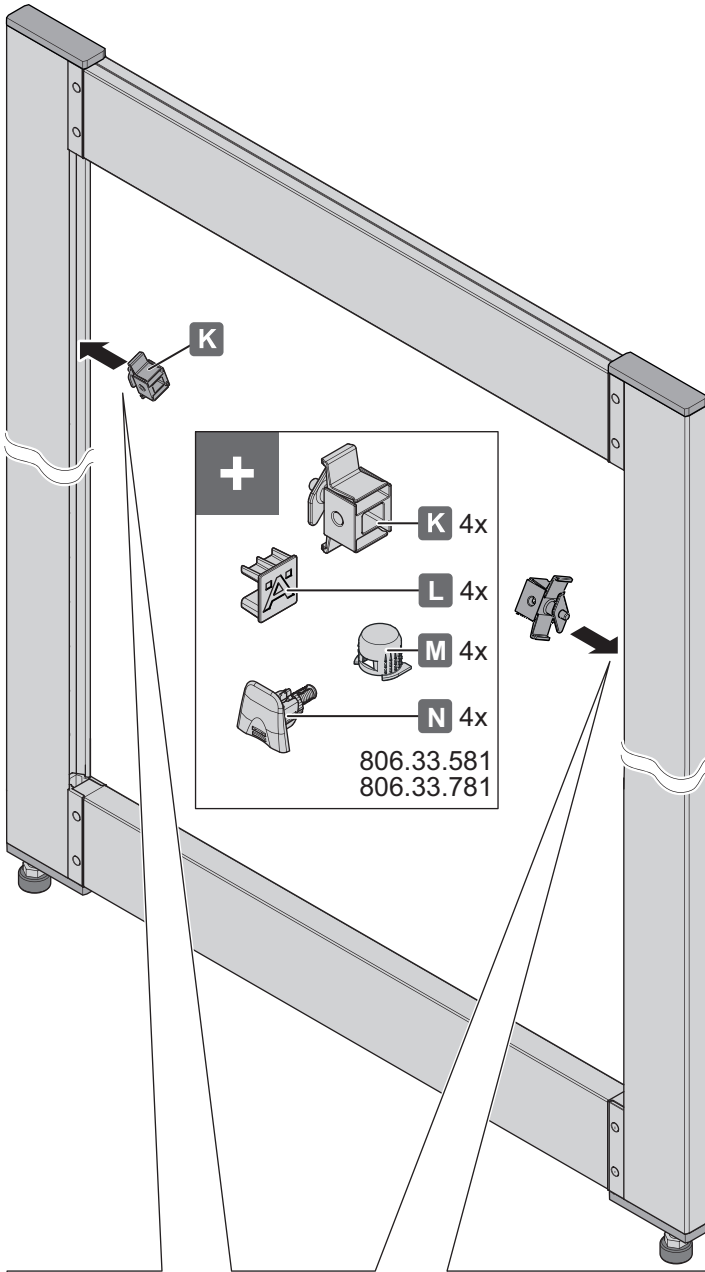
732.28.840

HDE 14.04.2022

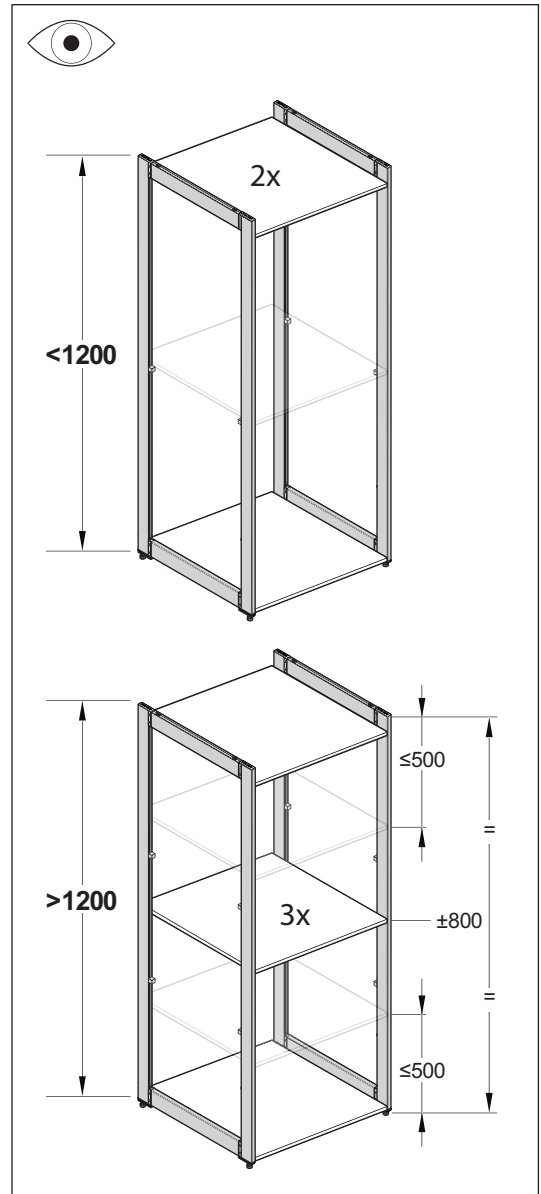


mm

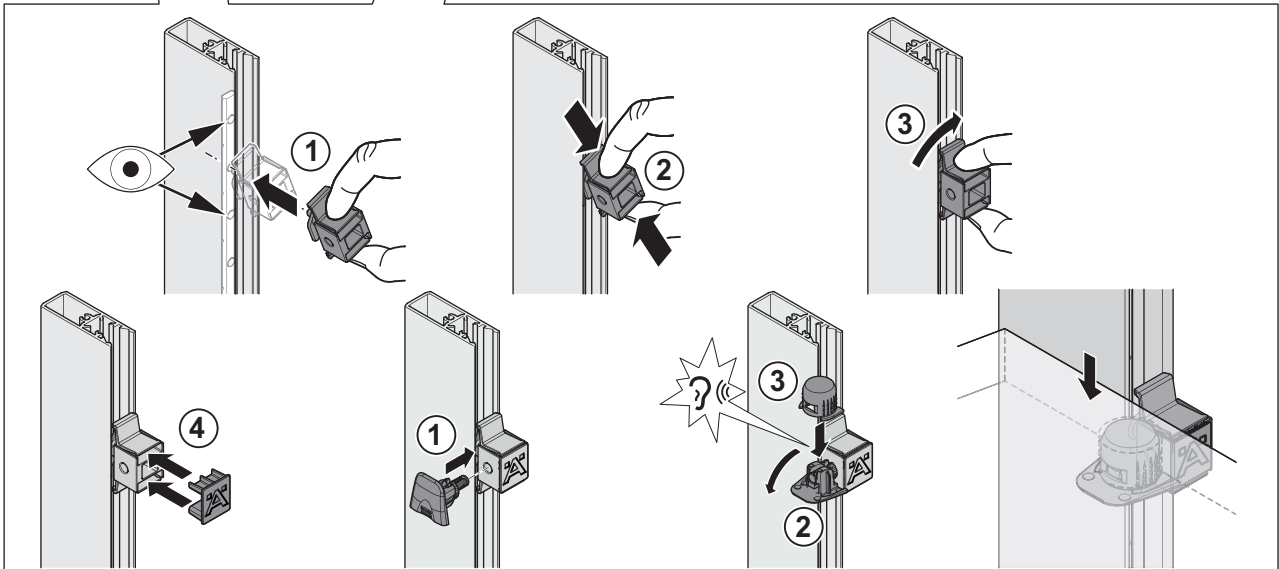
+



- +
- K** 4x
 - L** 4x
 - M** 4x
 - N** 4x
- 806.33.581
806.33.781



732.28.840



HDE 14.04.2022

